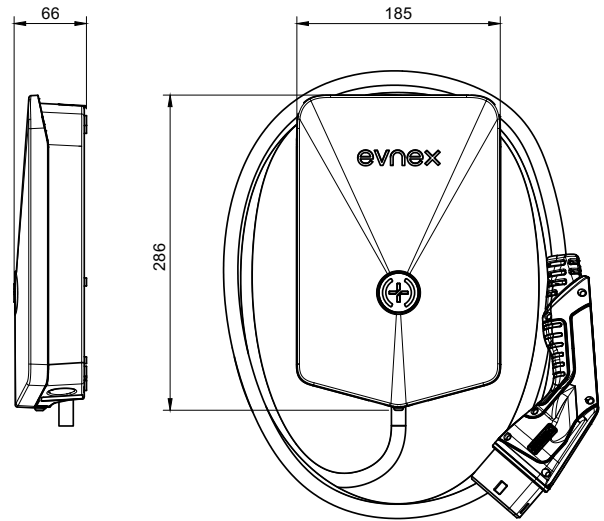


Electrical Properties

Charging capacity	7.4kW, 32A, single phase
Voltage	230VAC – 50/60Hz
Cable configuration	5m Type 1 or 5m Type 2
Metering	Integrated, non-revenue grade

Connectivity & Features

Cellular modem	LTE-M1
WiFi	802.11 b/g/n 2.4 Ghz
Ethernet	No
Local configuration interface	Bluetooth LE
Display	LED status; charging, idle, disabled, fault, waiting for solar, waiting for schedule, waiting for vehicle, charge now
Control & monitoring	Evnex driver app, Evnex installer app, Evnex CP Link Dashboard
Authorisation	Optional



Safety

Compliance	IEC 61851-1:2017, IEC 61439-7:2018, IEC 61000-6-3:2020
DC leakage detection	Yes, 6mA
Protection	Over voltage, under voltage, over current, over temperature, earth fault

Physical

Dimensions (mm)	286 (height) x 185 (width) x 66 (depth)
Operating temperature	-25°C to 55°C Charging current may limit at higher temperatures
Weight	2.95kg (including 5m type 2 cable)
IP rating	IP55 indoor/outdoor
Impact rating	IK08

Model numbers

E2-15SN	E2-25SN
E2-15ST	E2-25ST
E2-15SA	E2-25SA
E2-15VO	E2-25VO

