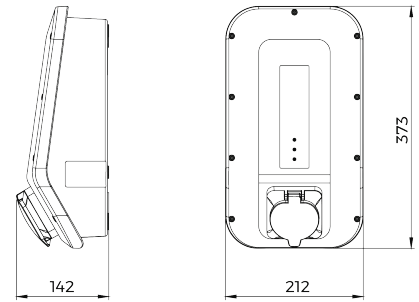


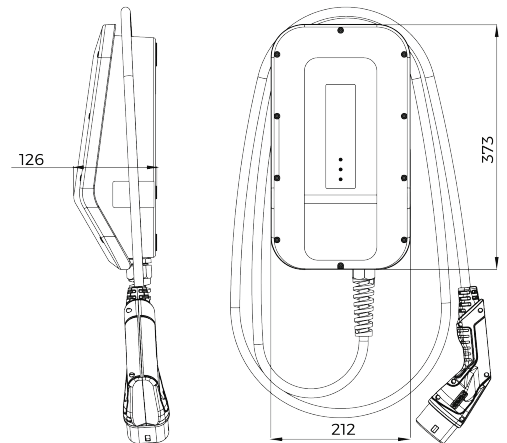
Electrical Properties

Charging capacity	7.4kW, 32A single phase (E7 / X7) 22kW, 32A three phase (X22)
Voltage	230VAC (E7/X7) - 400VAC (X22) 50/60Hz
Cable configuration	(1) External type 2 socket (2) External type 1/2 cable
PSU	Integrated, low standby current (79 - 265VAC)
Metering	Revenue grade



Connectivity & Features

Cellular modem	LTE-M, (X series only)
WiFi	802.11 b/g/n
Ethernet	Yes
Local configuration interface	Bluetooth LE
Display	LED (Network, Charge, Fault)
Control & monitoring	Evnex portal
Authorisation	RFID ISO/IEC 14443, 13.56 Mhz (X series only)
Expansion	Includes additional isolated RS-485



Safety

Compliance	IEC 61851-1:2017, IEC 61000-6-3:2011, IEC 61000-6-2:2016, CE
DC leakage detection	Yes, 6mA
Protection	Over voltage, under voltage, over current, over temperature, ground fault

Physical

Dimensions	373 (height) x 212 (width) x 142 (depth)
Operating temperature	-25°C to 55°C
Weight	2.3kg (X7-T2S)
IP rating	IP54 indoor / outdoor (white colour is indoor only)

Model Numbers

E7-T2S, E7-T2T, E7-T1T	E Series - WiFi & Ethernet only	E7/X7 (Single phase 7kW)
X7-T2S, X7-T2T, X7-T1T	X Series - Includes cellular modem & RFID	X22 (Three phase 22kW)
X22-T2S, X22-T2T	Append -W for white colour (indoor only) e.g. E7-T2S-W	T1T (Type 1 tethered lead)
		T2S (Type 2 socket)
		T2T (Type 2 tethered lead)

